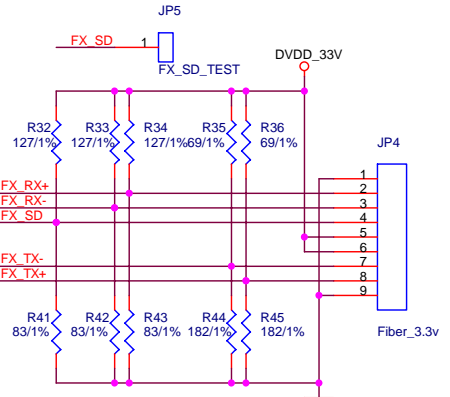
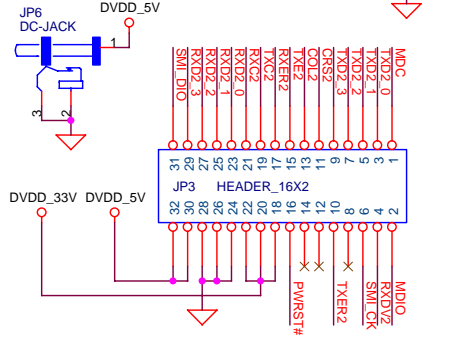
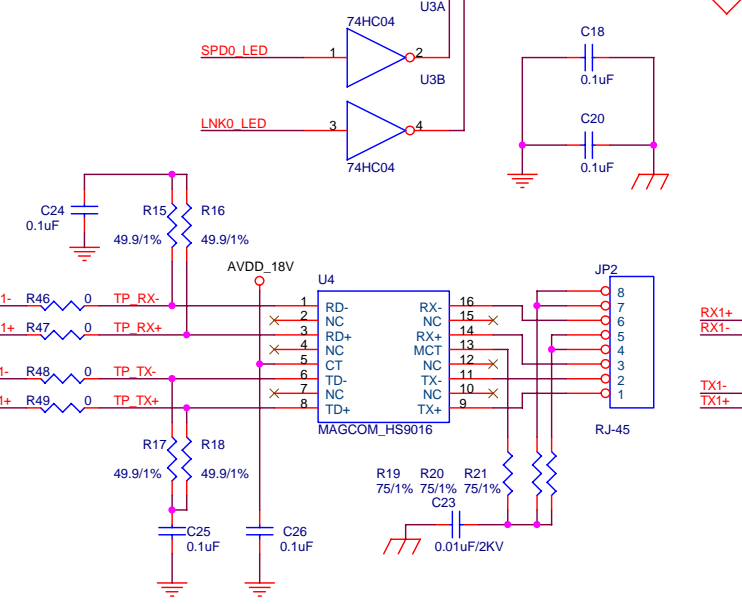
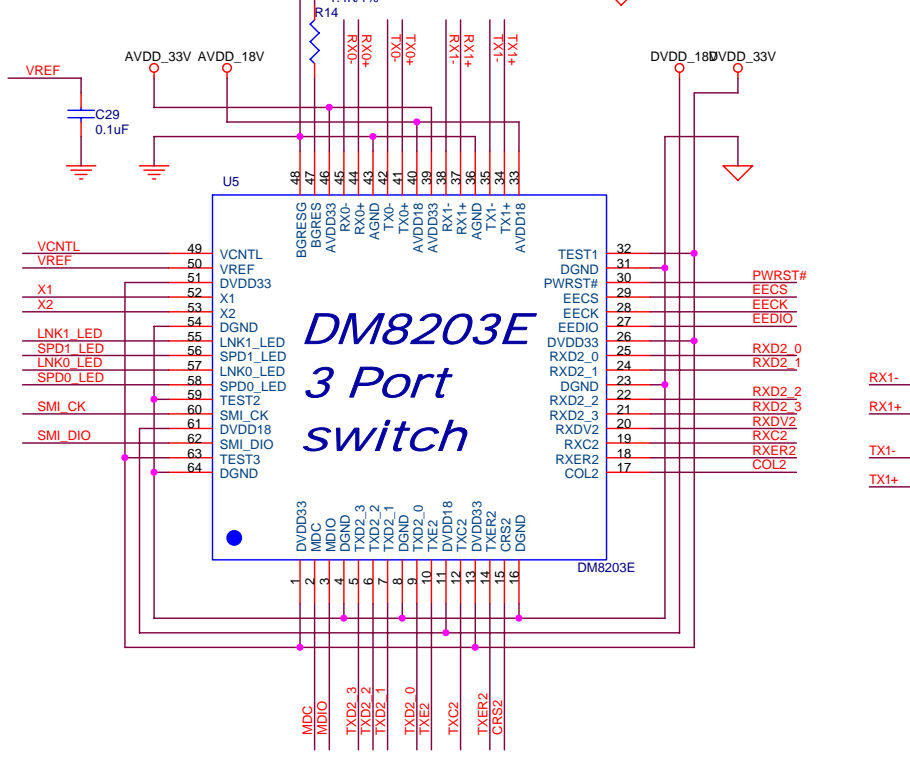
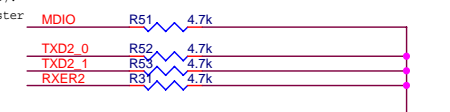
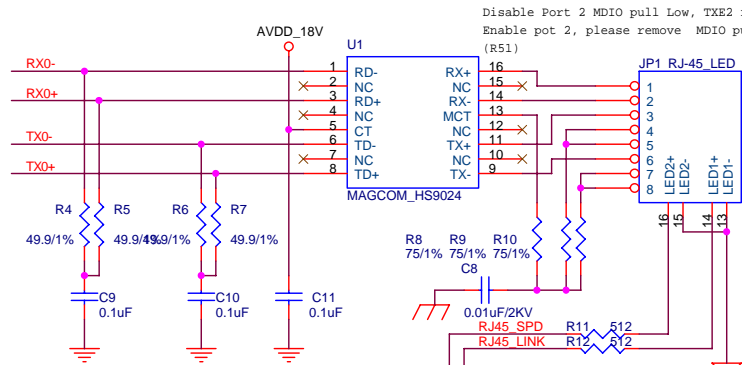
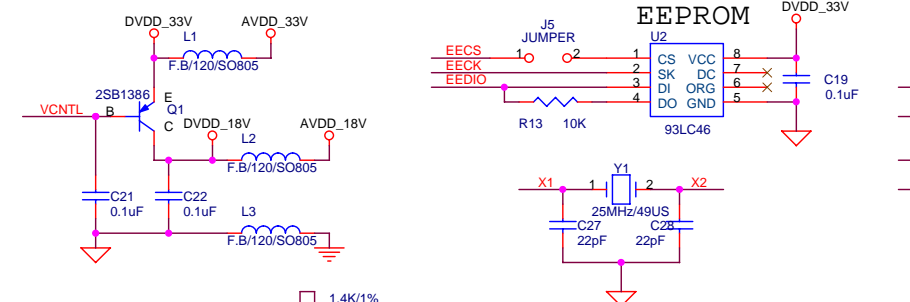
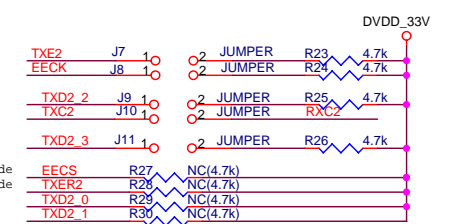
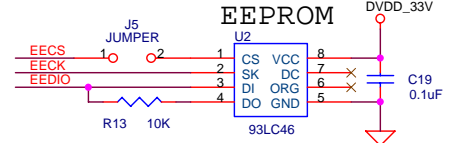


J7 on is P2 force link mode (100Mbps FULL mode)
 J8 on is P2 fix mode (100Mbps mode)
 J9, J10 on is P2 use Reverse-MII mode
 J11 on is P2 use RMII mode
 J5 on is use EEPROM



DAVICOM Semiconductor Inc.		
Title	DM8203E_EVB circuit for DM8203-E5	
Size	Document Number	Rev
B	DM8203E EVB	V1.0
Date:	Tuesday, August 26, 2008	Sheet 1 of 1