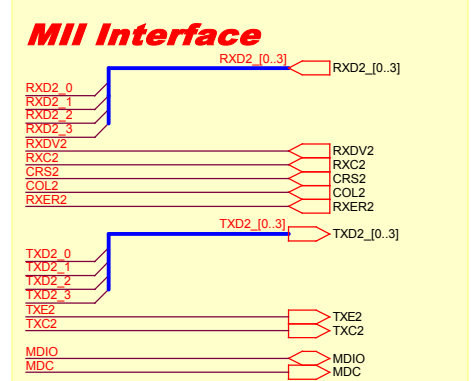
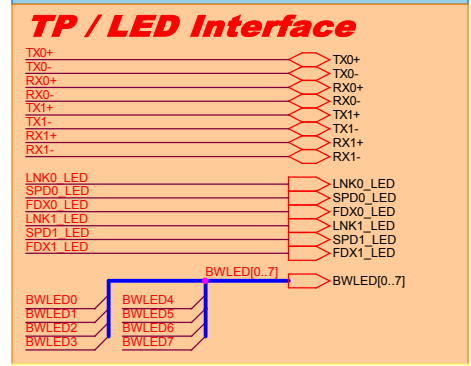
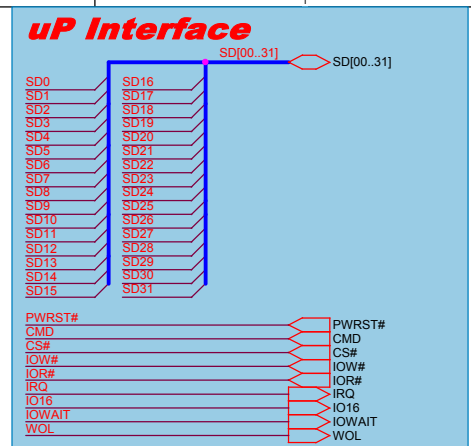
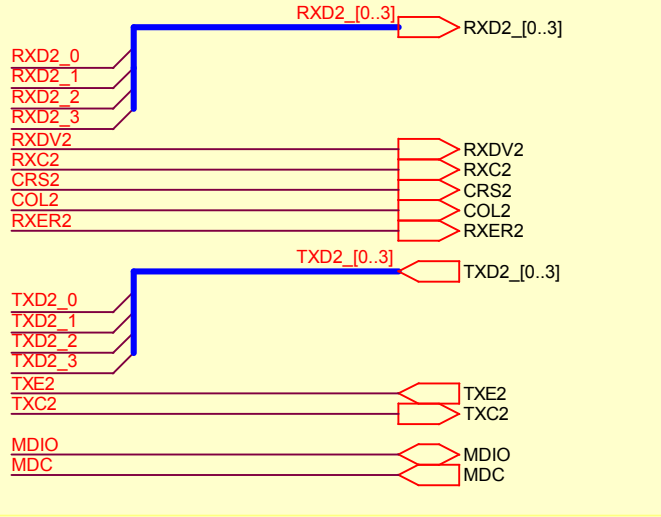


DM9013E for uP Interface

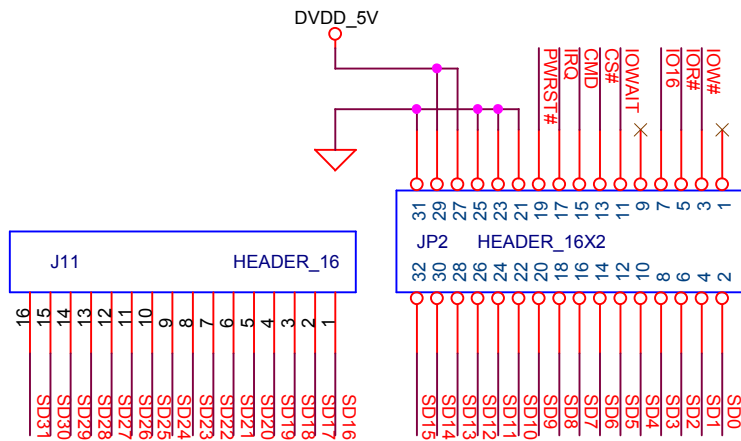
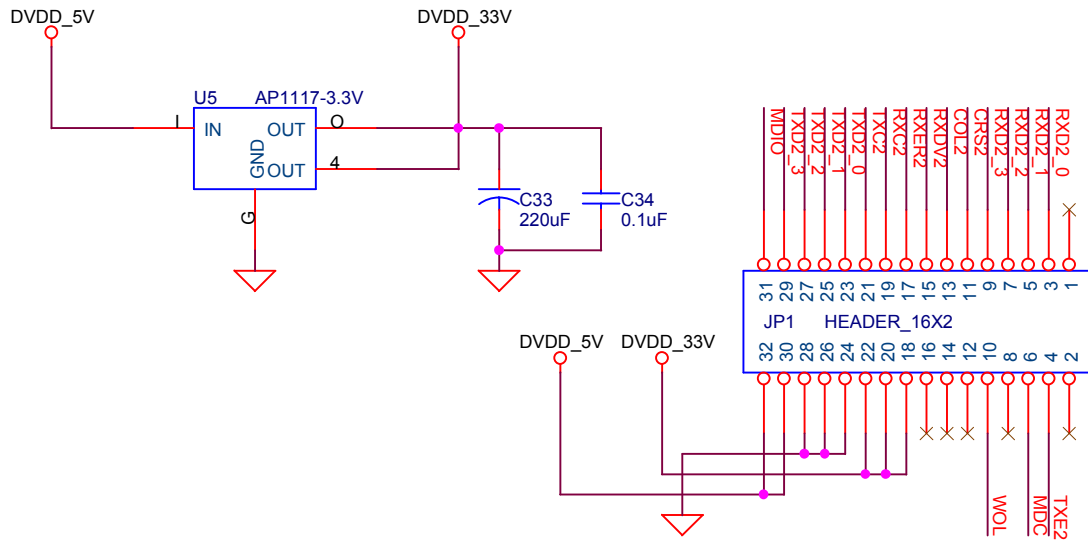
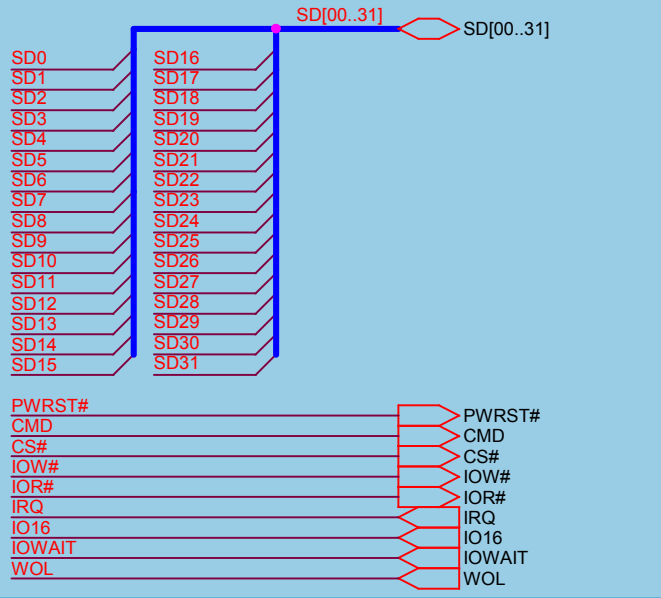


Davicom Semiconductor Inc.		
Title MAIN_CHIP		
Size B	Document Number DM9013E_EVB_BOARD	Rev 2.1
Date:	Friday, December 08, 2006	Sheet 1 of 3

MII Interface

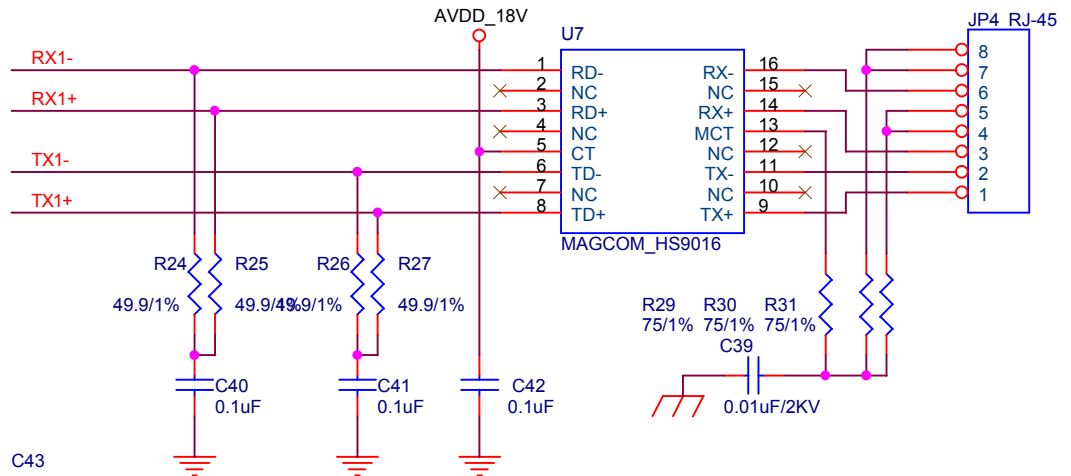
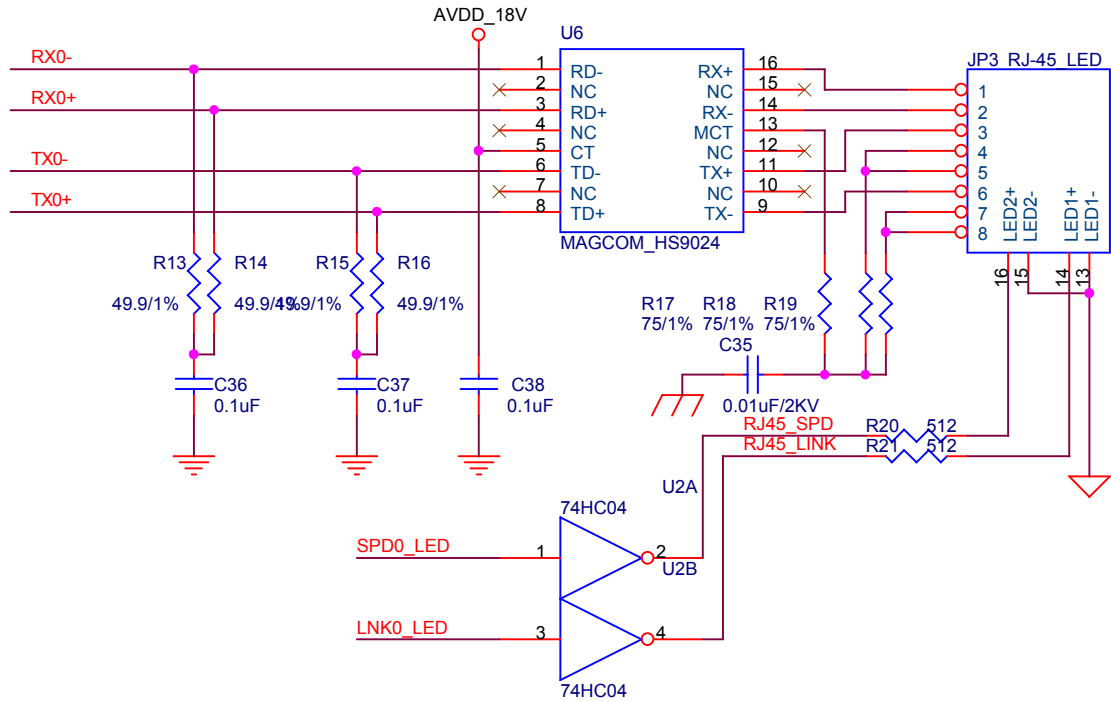
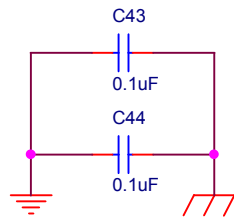
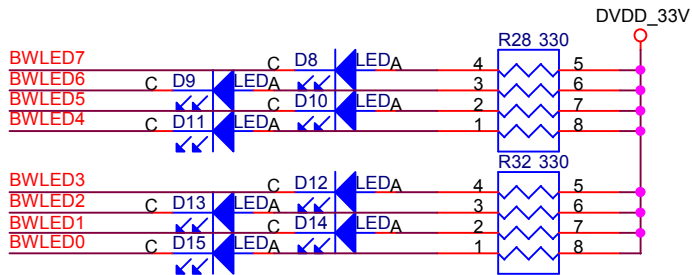
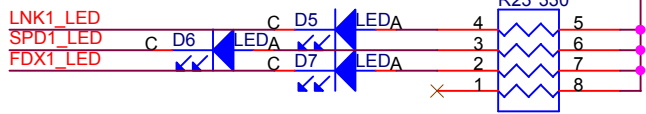
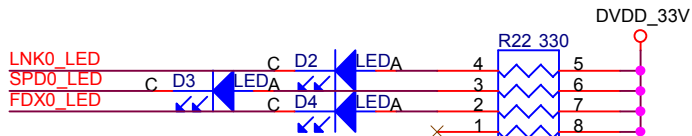
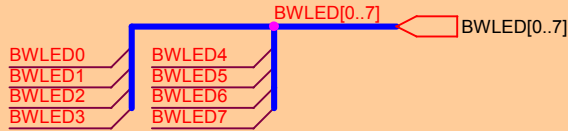
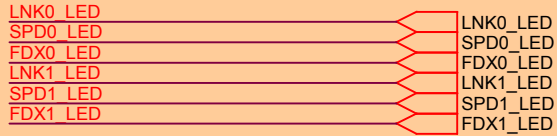
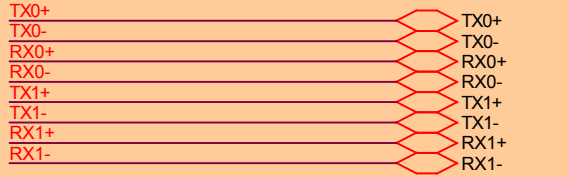


uP Interface



Title		
Davicom Semiconductor Inc.		
CONNECT_AND_POWER		
Size	Document Number	Rev
A	DM9013E_EVB_BOARD	2.1
Date:	Friday, December 08, 2006	Sheet 2 of 3

TP / LED Interface



Davicom Semiconductor Inc.		
Title: RJ45_AND_LED		
Size: A	Document Number: DM9013E_EVB_BOARD	Rev: 2.1
Date: Friday, December 08, 2006	Sheet: 3	of 3