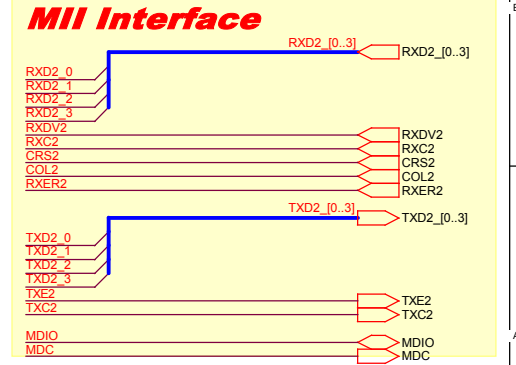
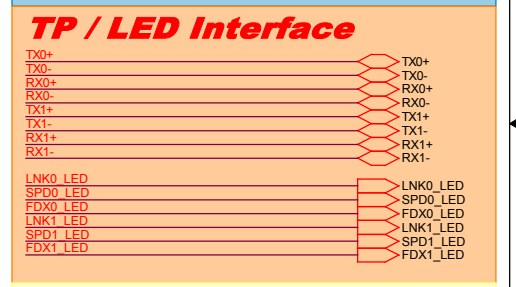
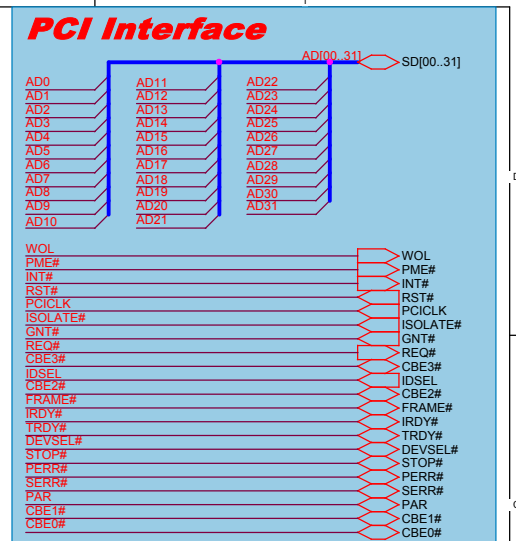
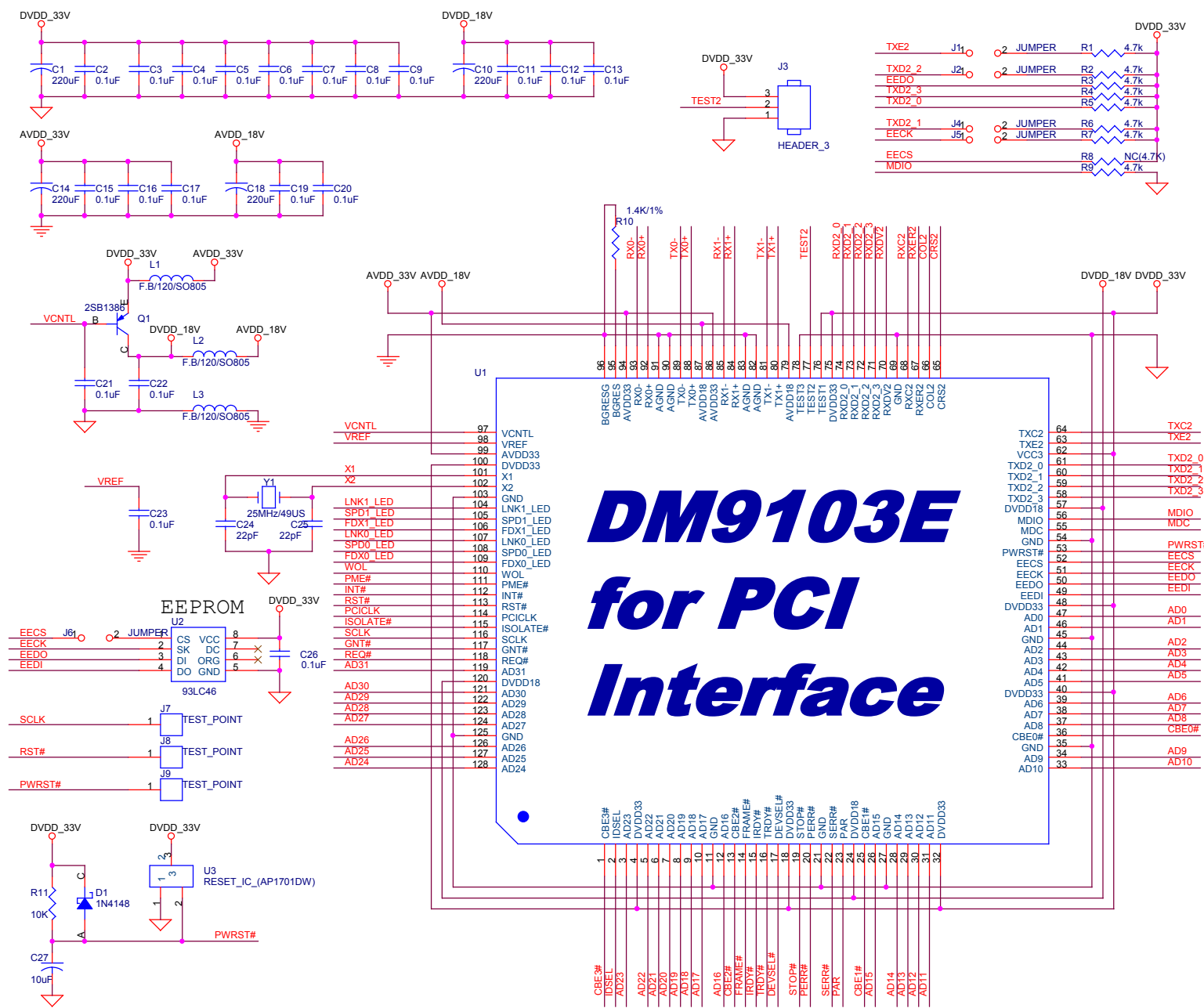


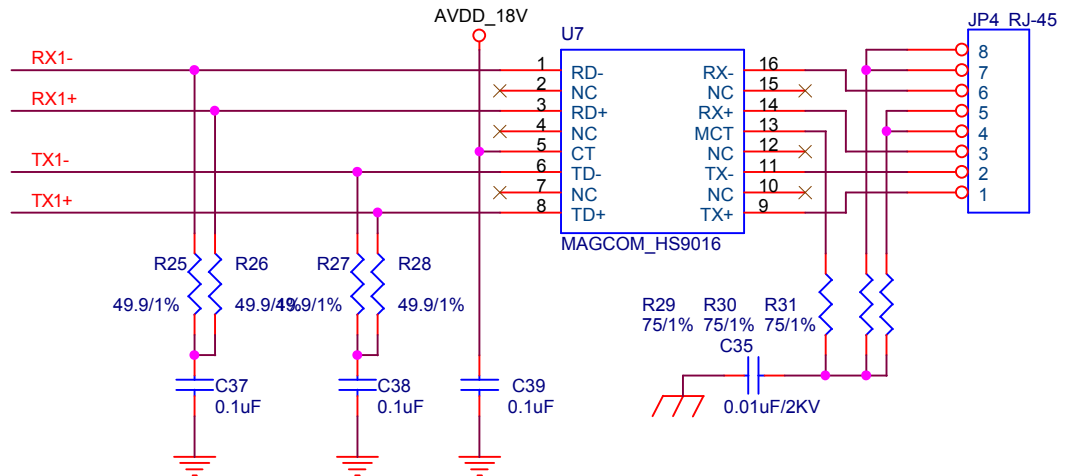
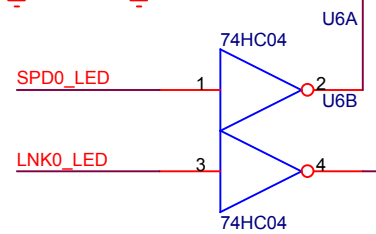
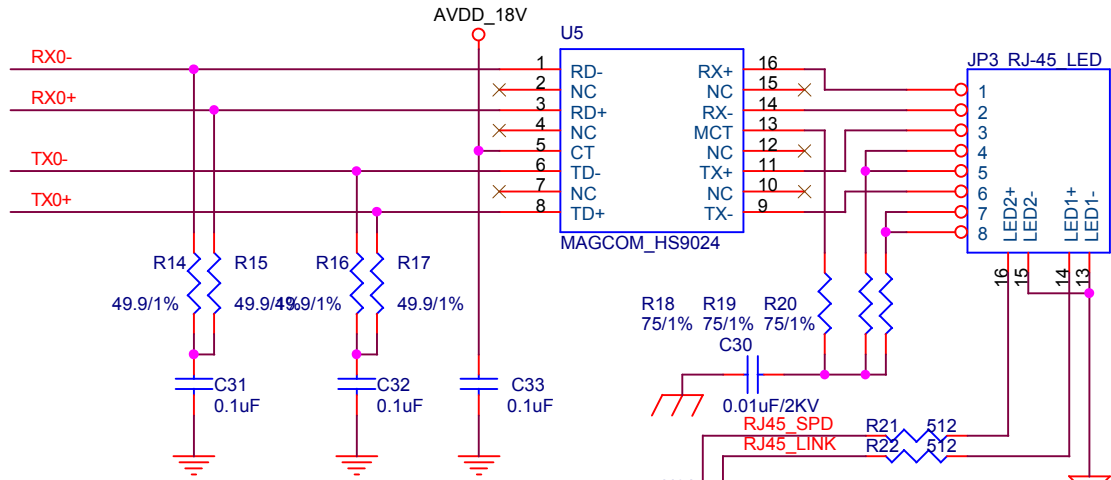
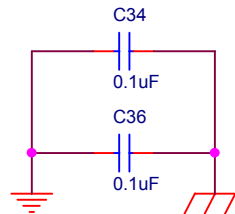
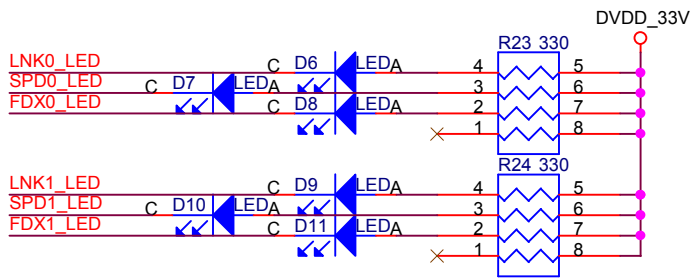
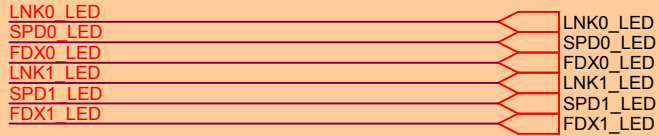
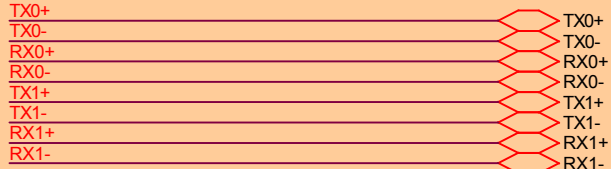
# DM9103E for PCI Interface



<b>Davicom Semiconductor Inc.</b>		
Title: <b>MAIN_CHIP</b>		
Size: <b>B</b>	Document Number: <b>DM9103E_EVB_BOARD</b>	Rev: <b>2.1</b>
Date: <b>Friday, December 08, 2006</b>	Sheet: <b>1</b>	of <b>3</b>



# TP / LED Interface



Davicom Semiconductor Inc.

Title RJ45\_AND\_LED

Size A Document Number DM9013E\_EVB\_BOARD

Rev 2.1

Date: Friday, December 08, 2006 Sheet 3 of 3